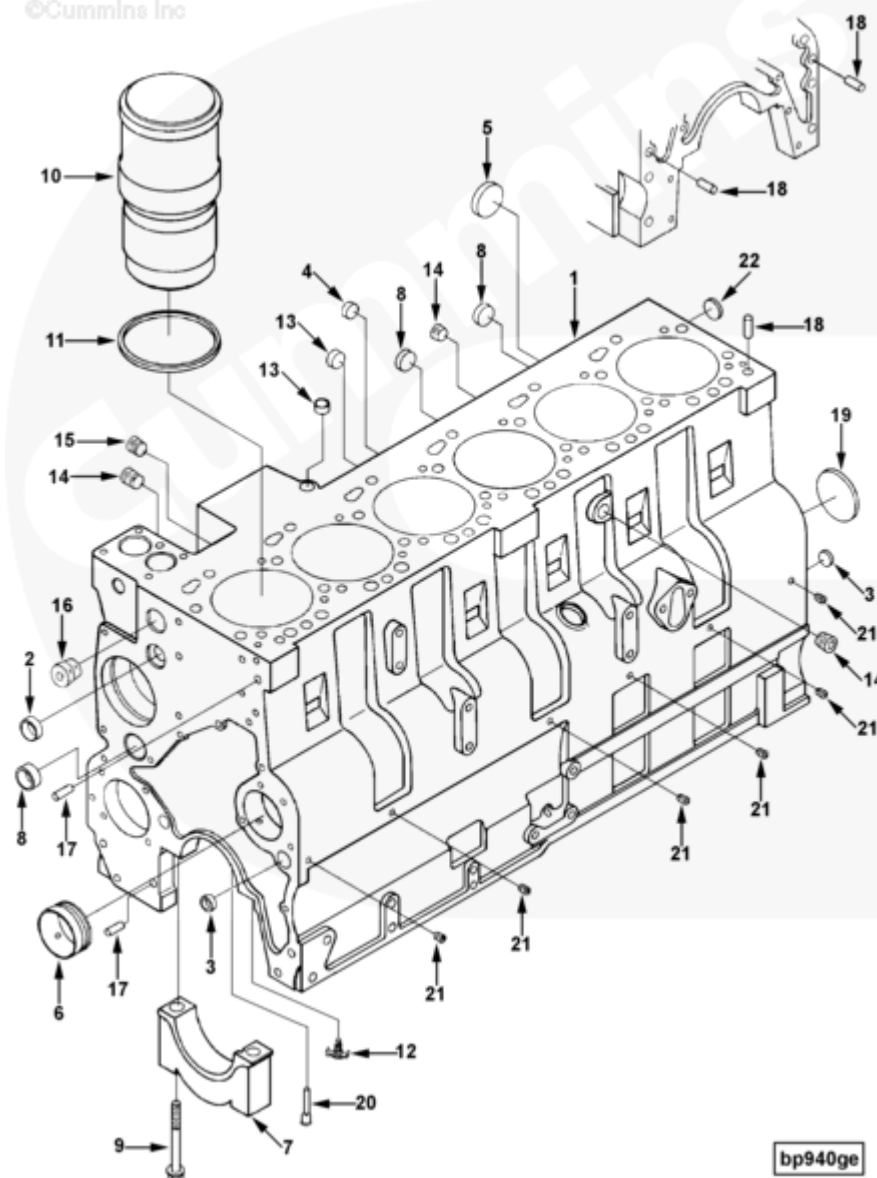




Parts Catalog - Option Detail

Electronic Parts Catalog - Option Detail				
Option	Group	Graphic	Film Card	Date
BP9898-02	01.01	bp940ge	Z	11-JAN-97
Engines	6C8.3, C GAS PLUS CM556, G8.3, G8.3 CM558, GTA8.3 CM558, ISC CM2150, ISC CM554, ISC CM850, ISC8.3 CM2250, ISC8.3 G CM2180 C101, ISL CM2150, ISL CM554, ISL CM850, ISL G CM2180, ISL8.9 CM2150 L110, ISL8.9 CM2880 L112, ISL9 CM2150 SN, ISL9 CM2250, ISL9 CM2350 L101, ISL9 CM2350 L111, ISLE4 CM850, L GAS PLUS CM556, L8.9, L8.9 L121, L8.9G CMOH2.0 L125B, L9 CM2350 L116B, L9 CM2350 L119B, L9 CM2350 L120C, L9 CM2350 L123B, L9.3 L105, L9.5 L117, L9N CM2380 L124B, QSC8.3 CM2250, QSC8.3 CM2880 C102, QSC8.3 CM554, QSC8.3 CM850(CM2850), QSL9 CM2250, QSL9 CM2250 L115, QSL9 CM2350 L102, QSL9 CM2350 L107, QSL9 CM2350 L118, QSL9 CM2350 L122, QSL9 CM554, QSL9 CM850(CM2850), QSL9 G CM558, QSL9 M CM2250 L106, QSL9.3 CM2880 L113			



bp940ge

[SMALL](#) | [MEDIUM](#) | [LARGE](#)

Cart	Ref No	Part Number	Part Description	Required	Remarks
View My Cart					
		BP9898-02	Cylinder Block		MR - BLOCK, CYLINDER...(More)
					Engine: C Series
					Cylinders: 6
					Aspiration:
					Jacket Water Aftercooled
					Charge Air Cooled
					Turbo Exhaust Outlet
					Location: HMFO; HMRO; HMRO
					Set Forward
					Fuel Type: Diesel
					Premium Block: No
					Restricted Fuel Pump
					Manufacturing/Model:
					Bosch P7100
					Bosch P3000
					Bosch RP43
					DEP May Use 3629497 Draincock
					in Place of S923E Draincock
					DEP May Use 3928914 in Place
					of 3926798
<input type="checkbox"/>		3802559	Short Block	1	
<input type="checkbox"/>	1	3926145	Cylinder Block	1	
<input type="checkbox"/>	2	143066	Expansion Plug	1	
<input type="checkbox"/>	3	3004258	Expansion Plug	4	
<input type="checkbox"/>	4	3920706	Expansion Plug	1	
<input type="checkbox"/>	5	3922072	Expansion Plug	1	
<input type="checkbox"/>	6	3901685	Bushing	7	

<input type="checkbox"/>	7	3917313	Main Bearing Cap	7	
<input type="checkbox"/>	8	3905401	Expansion Plug	4	
<input type="checkbox"/>	9	3916369	Hexagon Flange Head Cap Screw	14	M14 x 2.00 x 128
<input type="checkbox"/>		3802367	Cylinder Block Hardware Kit	1	
<input type="checkbox"/>	4	3920706	Expansion Plug	1	
<input type="checkbox"/>	12	S 923 E	Draincock	1	
<input type="checkbox"/>	13	156075	Expansion Plug	2	1 3/16 in.
<input type="checkbox"/>	14	3008468	Pipe Plug	4	1/2 NPT.
<input type="checkbox"/>	15	3008469	Pipe Plug	2	3/4 NPT
<input type="checkbox"/>	16	3008470	Pipe Plug	1	1 NPT.
<input type="checkbox"/>	17	3900257	Pin Dowel	2	
<input type="checkbox"/>	18	3901846	Pin Dowel	4	
<input type="checkbox"/>	19	3901969	Expansion Plug	1	
<input type="checkbox"/>	20	3919003	Piston Cooling Nozzle	12	
<input type="checkbox"/>	21	3906619	Pipe Plug	6	1/8 NPT.
<input type="checkbox"/>	22	3004258	Expansion Plug	1	
<input type="checkbox"/>	22	3920706	Expansion Plug	1	
<input type="checkbox"/>		3802407	Liner Kit	6	
	10	3919937	Cylinder Liner	1	Sold In Higher Level Assy/Kit
<input type="checkbox"/>	11	3907177	Rectangular Ring Seal	1	
<input type="checkbox"/>		3924445	Shim	A/R	0.25mm Oversize (0.010 in.)
<input type="checkbox"/>		3924446	Shim	A/R	0.38mm Oversize (0.015 in.)
<input type="checkbox"/>		3924447	Shim	A/R	0.51mm Oversize (0.020 in.)
<input type="checkbox"/>		3924448	Shim	A/R	0.75mm Oversize (0.030 in.)
<input type="checkbox"/>		3924449	Shim	A/R	1.00mm Oversize (0.040 in.)